

[If you are having trouble viewing, click here to view in browser.](#)

BRAKE &  
WHEEL PARTS

**BWP-NSI**

SPRINGS &  
SUSPENSION PARTS

## Happy Halloween!!

What do you call a witch who lives at the beach?

A sand-witch.

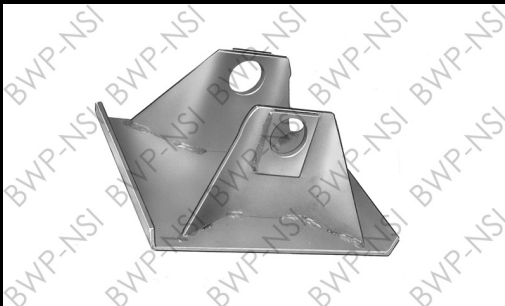
We don't have sand-witches,  
but we do have sand shoes!

Product of the Week!

Landing Gear Sand Shoes.

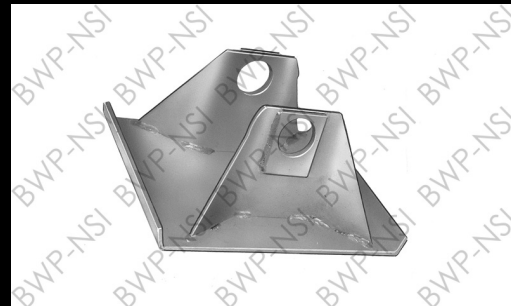
What are they?

A sand shoe is a flat plate that is attached either directly or indirectly to the bottom of each landing gear assembly leg to function as a ground surface contact support for the trailer.



**M-757**

Landing Gear Sand Shoe  
10 x 10 x 4 Standard Profile



**M-758**

Landing Gear Sand Shoe  
16 x 16 x 5



### **M-4117**

**Landing Gear Sand Shoe  
10 x 10 x 2 Low Profile**



### **M-4521**

**Landing Gear Sand Shoe  
10 x 10 x 4 1/2 Heavy Duty**

## **How to attach shoe to the landing gear.**



### **M-1780**

**Landing Gear Shoe Axle Assembly**

**Speak with a salesperson at:  
636-629-5800**

**Visit our Website**

**Did you know we have a Buyer Login on our website where you can Check Availability, Delivery Time, Cross References, Prices and Place your Orders Online? Ask us how!**

BWP-NSI | #3 TLC Lane, St. Clair, MO 63077

[Unsubscribe neil\\_dickhaus@nsihd.com](mailto:neil_dickhaus@nsihd.com)

[Update Profile](#) | [Constant Contact Data Notice](#)

Sent by [springs@nsihd.com](mailto:springs@nsihd.com) powered by



Try email marketing for free today!